

VERY IMPORTANT NOTE

This Revotec Cooling Kit has been engineered to provide perfect cooling for your 90/110 V8. However it is essential the other components of the cooling system are operating correctly.

The following must be checked:

1. The Radiator has a normal life expectancy of approx 8-9 Years after this time It should be thoroughly assessed and any signs of deterioration such as furring up internally or out of shape it is recommended it is replaced.
2. The Radiator fins Must be clear of all debris such as mud and leaves.
3. The system Must be filled with Correct Coolant.
4. The Water Pump and thermostat must be operating correctly.

Disconnect the battery terminal.

1. Drain the water system and remove the top hose and top mounts from the radiator.
2. Remove the original shroud and fan.
3. Assemble the 2 fans onto the 2 brackets as shown in Fig.1 and Fig.2.
4. Place the 2 foam pads on the top pins of the radiator and slide the fan and bracket assemble in place where the original shroud was mounted and replace top radiator brackets.
5. Follow Electronic Fan Controller instructions for information on set-up. (see Fig.3 for wiring the 2 fans to the controller).

Fig.1



Fig.2

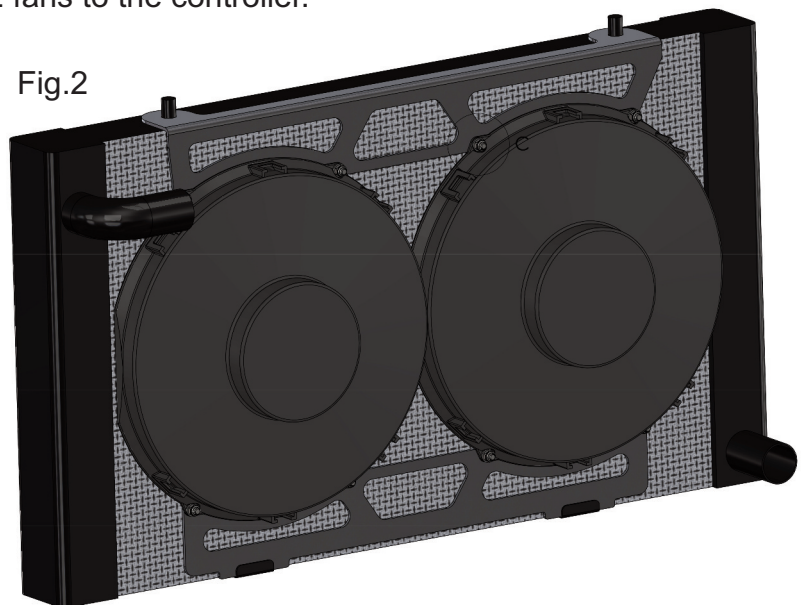


Fig.3

